

13. Pomeas 6.5X Zoom Lens Series.

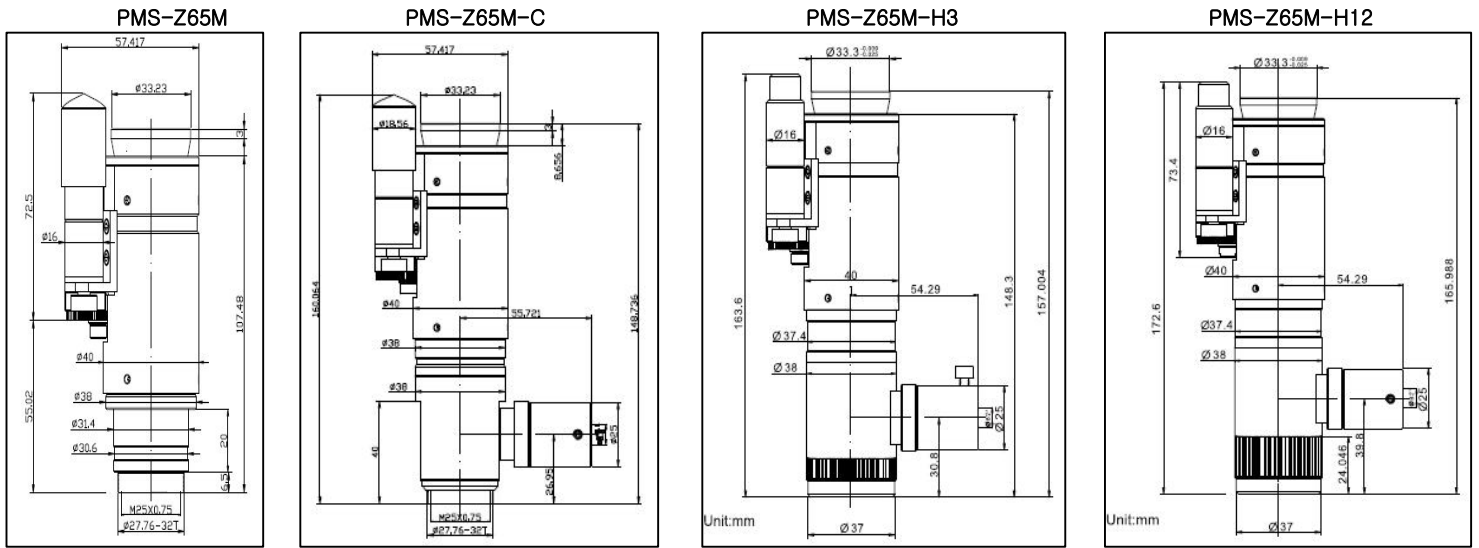
A. 6.5X Zoom Lens 주문표

Model	Type	동축	Fine focus	Mount
PMS-Z65C	Manual			C
PMS-Z65C-H3	Manual		3mm	C
PMS-Z65C-H12	Manual		12mm	C
PMS-Z65C-C	Manual	Coaxial		C
PMS-Z65D	Detended			C
PMS-Z65D-H3	Detended		3mm	C
PMS-Z65D-H12	Detended		12mm	C
PMS-Z65D-C	Detended	Coaxial		C
PMS-Z65D-CH3	Detended	Coaxial	3mm	C
PMS-Z65D-CH12	Detended	Coaxial	12mm	C
PMS-Z65F	Magnification Output			C
PMS-Z65M	Motorized			C
PMS-Z65M-C	Motorized	Coaxial		C
PMS-Z65M-CH3	Motorized	Coaxial	3mm	C
PMS-Z65M-CH12	Motorized	Coaxial	12mm	C
PMS-Z65M-H3M	Motorized		3mm Motorized	C

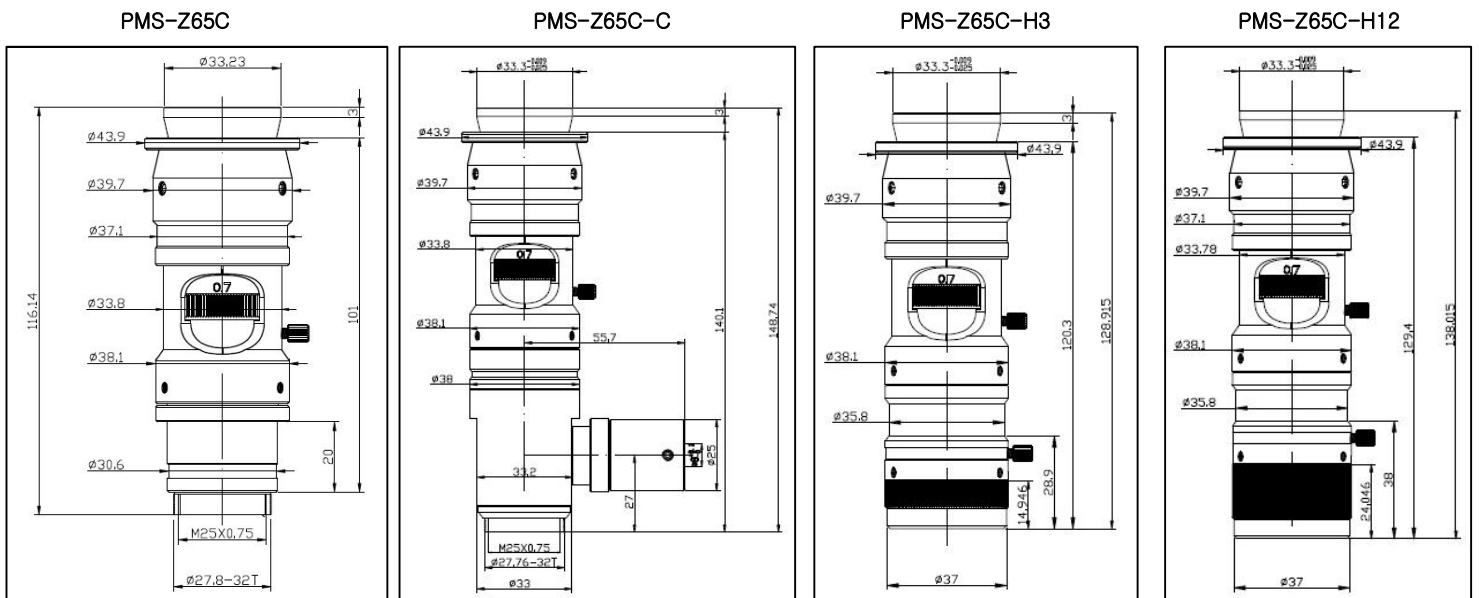
B. 6.5X Zoom Lens Data.

Commodity	6.5x Zoom Lens									
Optical Magnification Range	0.7x - 4.5x									
Working Distance	90±2mm									
Optical Magnification	0.7x	1.0x	1.5x	2.0x	2.5x	3.0x	3.5x	4.0x	4.5x	
Depth of Field(mm)	1.9	0.952	0.44	0.29	0.23	0.16	0.13	0.12	0.1	
N.A	0.03	0.042	0.06	0.07	0.07	0.085	0.085	0.085	0.085	
F.No.	11.6	2.1	12.5	14.2	17.8	17.6	20.5	23.5	26.5	
Resolution(μm)	11.18	7.99	5.59	4.79	4.79	3.95	3.95	3.95	3.95	
TV Distortion	0.019%	0.035%	0.002%	0.003%	0.004%	0.001%	0.001%	0.002%	0.002%	
F.O.V(mm) DXHXV	2/3"	15.71X12.57X9.43	11X8.8X6.6	7.33X5.87X4.4	5.5X4.4X3.3	4.4X3.52X2.64	3.67X2.93X2.2	3.14X2.51X1.89	2.75X2.2X1.65	2.44X1.96X1.47
	1/2"	11.43X9.14X6.86	8X6.4X4.8	5.33X4.27X3.2	4X3.2X2.4	3.2X2.56X1.92	2.67X2.13X1.6	2.29X1.83X1.37	2X1.6X1.2	1.78X1.42X1.07
	1/3"	8.57X6.86X5.14	6X4.8X3.6	4X3.2X2.4	3X2.4X1.8	2.4X1.92X1.44	2X1.6X1.2	1.71X1.37X1.03	1.5X1.2X0.9	1.33X1.07X0.8
Max.Sensor Size	2/3"									
Mount	C-Mount									

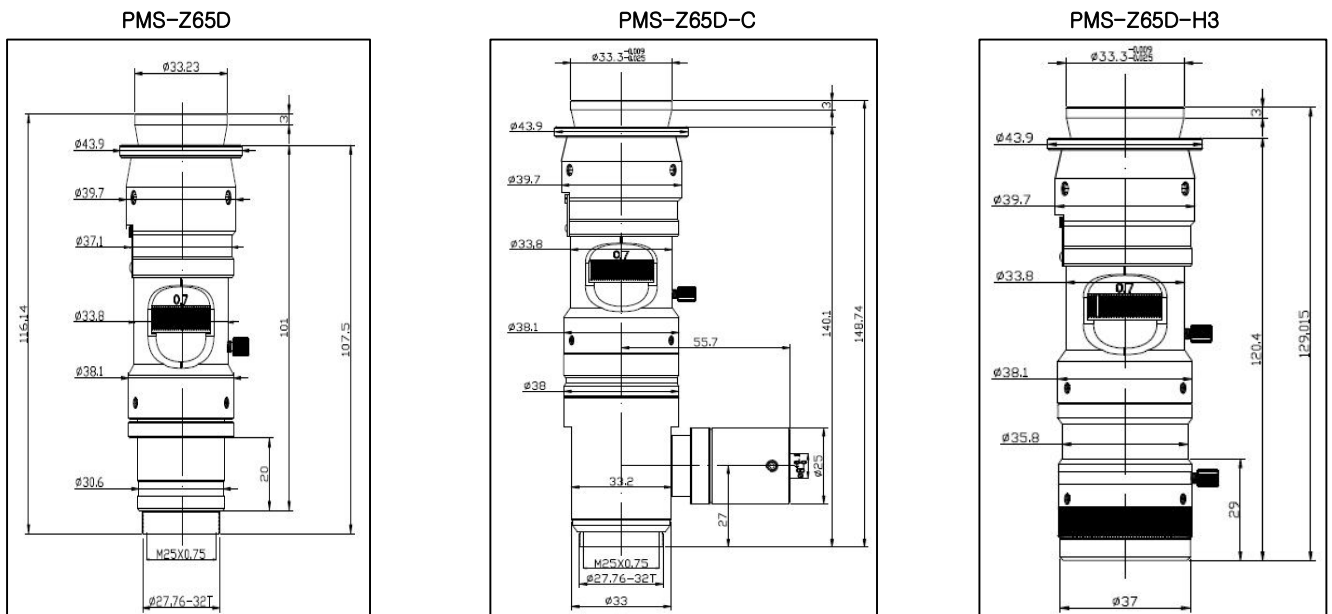
C.6.5X Zoom Lens Dimension.(Motorized Type)

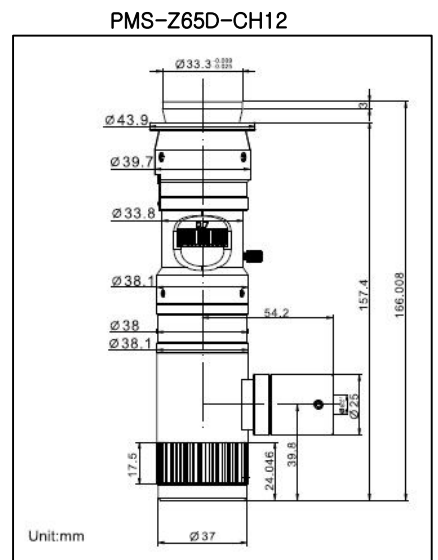
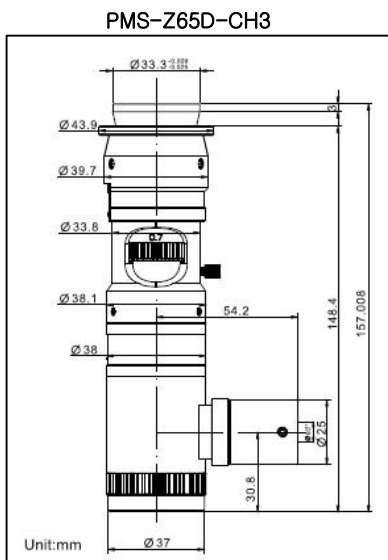
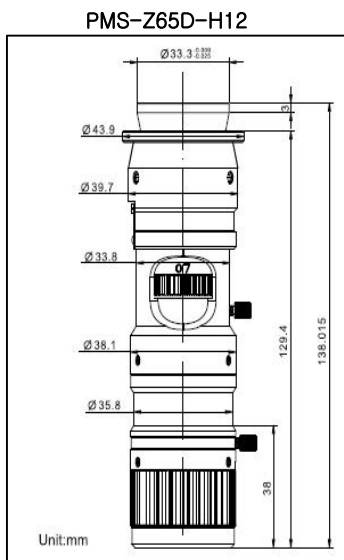


D.6.5X Zoom Lens Dimension.(Manual Type)



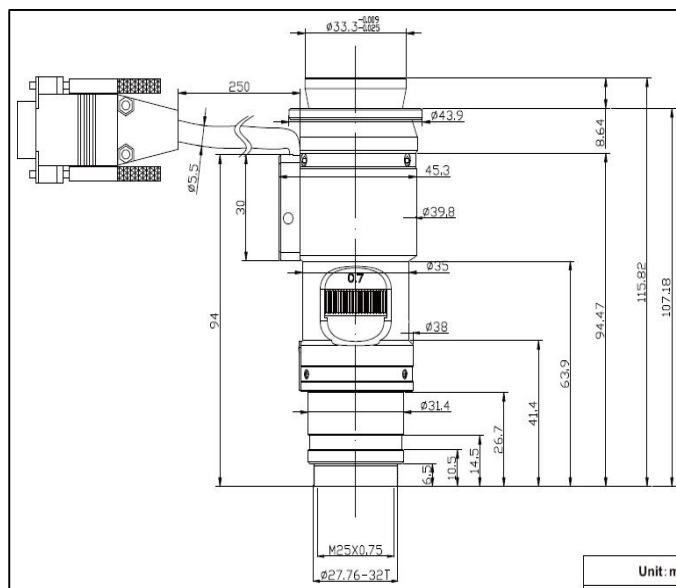
E.6.5X Zoom Lens Dimension.(Detented Type)





F.6.5X Zoom Lens Dimension.(Magnification Output Type)

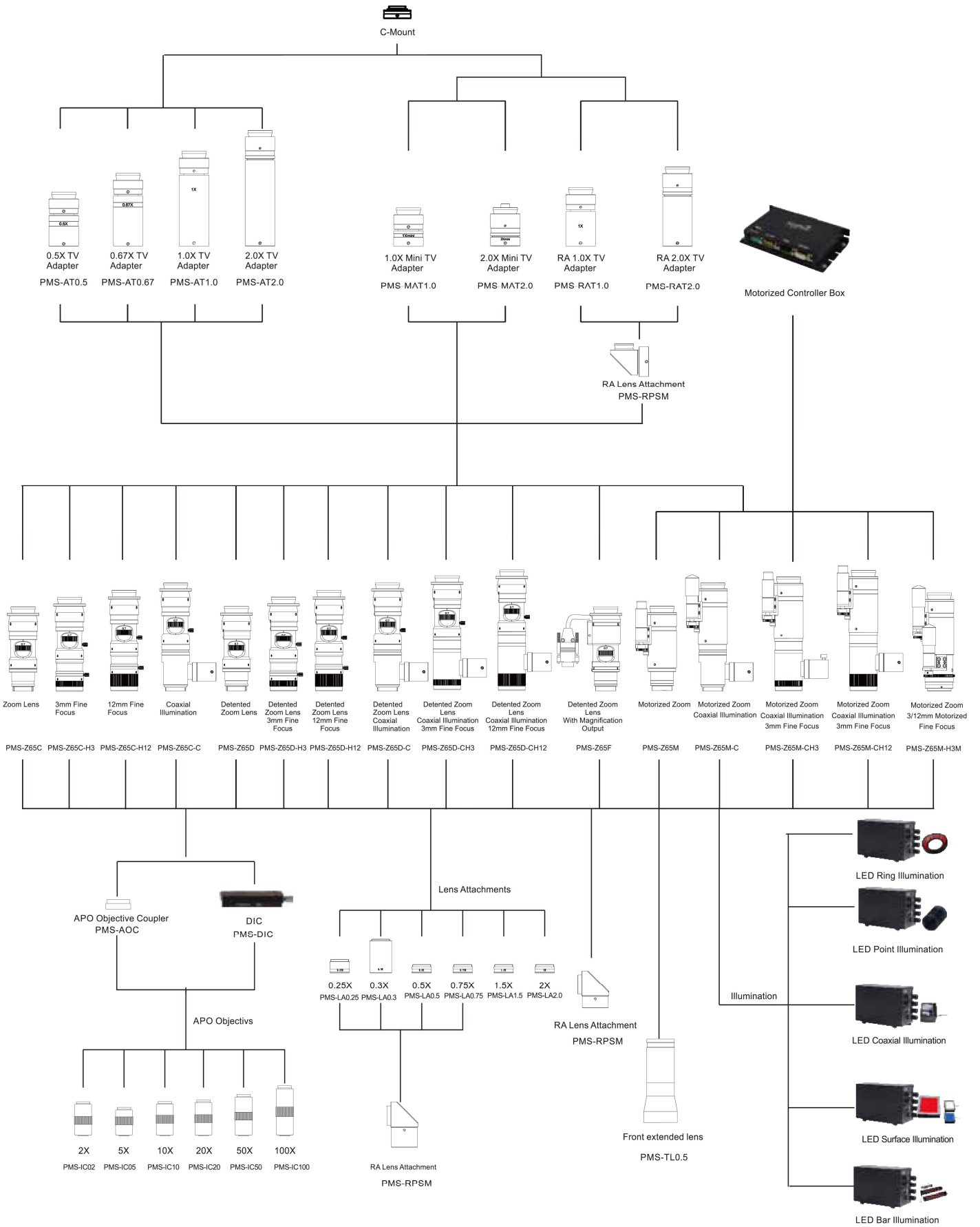
PMS-Z65F-RS



6.5x Zoom Lens Field Of View Table

Lens Attachment		0.5X Adapter Tube (PMS-AT0.5)						1.0X Adapter Tube (PMS-AT1.0)						2.0X Adapter Tube (PMS-AT2.0)					
		Low Magnification			High Magnification			Low Magnification			High Magnification			Low Magnification			High Magnification		
		Length mm	Width mm	Diagonal mm	Length mm	Width mm	Diagonal mm	Length mm	Width mm	Diagonal mm	Length mm	Width mm	Diagonal mm	Length mm	Width mm	Diagonal mm	Length mm	Width mm	Diagonal mm
0.25X PMS-LA0.25 WD:325mm	Magnification	0.09X – 0.56X						0.18X – 1.13X						0.35X – 2.25X					
	1/3°Camera FOV	40.56	54.08	68.64	6.40	8.53	10.64	20.28	27.04	34.32	3.20	4.27	5.32	10.14	13.52	17.16	1.60	2.13	2.66
	1/2°Camera FOV	54.08	72.11	91.36	8.53	11.38	14.16	27.04	36.06	45.68	4.27	5.69	7.08	13.52	18.03	22.84	2.13	2.84	3.54
0.5X PMS-LA0.5 WD:156mm	Magnification	0.18X – 1.12X						0.35X – 2.25X						0.7X – 4.5X					
	1/3°Camera FOV	20.28	27.04	34.28	3.20	4.27	5.33	10.14	13.52	17.14	1.60	2.13	2.66	5.07	6.76	8.57	0.80	1.07	1.33
	1/2°Camera FOV	27.04	36.06	45.68	4.27	5.69	7.08	13.52	18.03	22.85	2.13	2.84	3.55	6.76	9.01	11.42	1.07	1.42	1.77
0.75X PMS-LA0.75 WD:108mm	Magnification	0.27X – 1.69X						0.53X – 3.38X						1.05X – 6.75X					
	1/3°Camera FOV	13.52	18.03	22.86	2.13	2.84	3.56	6.76	9.01	11.43	1.07	1.42	1.78	3.38	4.51	5.72	0.53	0.71	0.89
	1/2°Camera FOV	18.03	24.04	30.46	2.84	3.79	4.74	9.01	12.02	15.23	1.42	1.90	2.37	4.51	6.01	7.62	0.71	0.95	1.19
1.0X PMS-LA1.0 WD:91mm	Magnification	0.35X – 2.25X						0.7X – 4.5X						1.40X – 9.0X					
	1/3°Camera FOV	10.14	13.52	17.14	1.60	2.13	2.66	5.07	6.76	8.57	0.80	1.07	1.33	2.54	3.38	4.28	0.40	0.53	0.66
	1/2°Camera FOV	13.52	18.03	22.85	2.13	2.84	3.56	6.76	9.01	11.42	1.07	1.42	1.77	3.38	4.51	5.71	0.53	0.71	0.89
1.5X PMS-LA1.5 WD:50mm	Magnification	0.53X – 3.38X						1.05X – 6.75X						2.10X – 13.5X					
	1/3°Camera FOV	6.76	9.01	11.43	1.07	1.42	1.78	3.38	4.51	5.72	0.53	0.71	0.89	1.69	2.25	2.86	0.27	0.36	0.44
	1/2°Camera FOV	9.01	12.02	15.23	1.42	1.90	2.37	4.51	6.01	7.62	0.71	0.95	1.19	2.25	3.00	3.81	0.36	0.47	0.59
2.0X PMS-LA2.0 WD:35.3mm	Magnification	0.70X – 4.50X						1.40X – 9.00X						2.80X – 18.00X					
	1/3°Camera FOV	5.07	6.76	8.57	0.80	1.07	1.33	2.54	3.38	4.28	0.40	0.53	0.66	1.27	1.69	2.14	0.20	0.27	0.33
	1/2°Camera FOV	6.76	9.01	11.42	1.07	1.42	1.77	3.38	4.51	5.71	0.53	0.71	0.89	1.69	2.25	2.86	0.27	0.36	0.44

6.5x Zoom Lens Series



14. Pomeas 8.0X Zoom Lens Series.

A 8.0X Zoom Lens 주문표

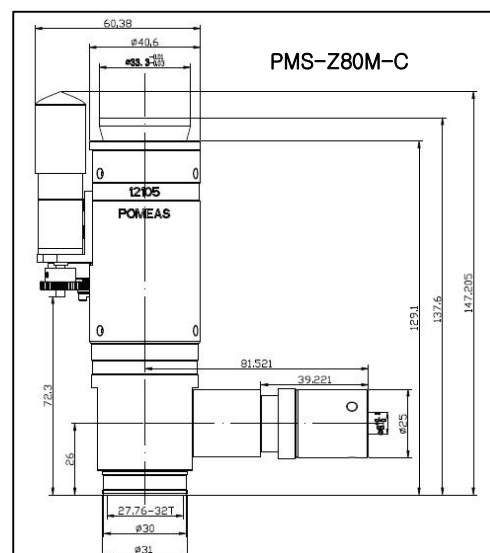
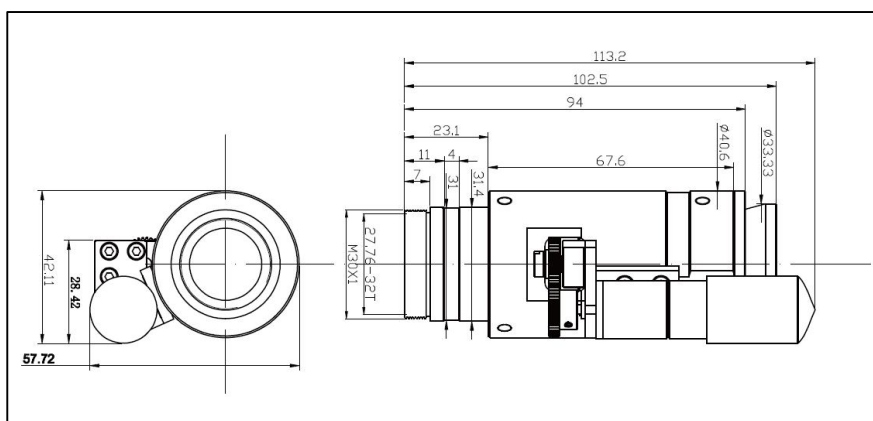
Model	Type	동축	Fine focus	Mount
PMS-Z80C	Manual			C
PMS-Z80C-H3	Manual		3mm	C
PMS-Z80C-H12	Manual		12mm	C
PMS-Z80C-C	Manual	Coaxial		C
PMS-Z80D	Detended			C
PMS-Z80D-CH3	Detended	Coaxial	3mm	C
PMS-Z80D-CH12	Detended	Coaxial	12mm	C
PMS-Z80D-C	Detended	Coaxial		C
PMS-Z80M	Motorized			C
PMS-Z80M-C	Motorized	Coaxial		C
PMS-Z80M-CH3	Motorized	Coaxial	3mm	C

B. 8.0X Zoom Lens Data.

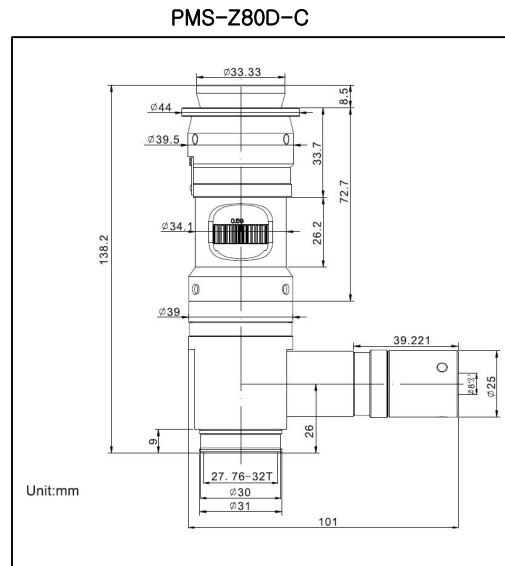
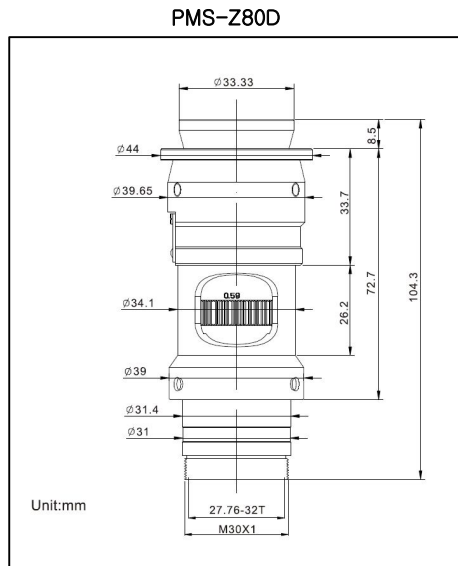
Commodity	8.0x Zoom Lens										
Optical Magnification Range	0.6x - 5.0x										
Working Distance	84±2mm										
Optical Magnification	0.6x	1.0x	1.5x	2.0x	2.5x	3.0x	3.5x	4.0x	4.5x	5.0x	
Depth of Field(mm)	2.67	0.95	0.43	0.27	0.2	0.15	0.12	0.1	0.081	0.073	
N.A	0.025	0.043	0.063	0.074	0.082	0.09	0.097	0.1	0.11	0.11	
F.No.	12.5	11.85	11.95	13.65	15.3	16.5	18.4	19.9	20.4	22.45	
Resolution(μm)	13	7.8	5.3	4.53	4.09	3.73	3.46	3.36	3.05	3.05	
TV Distortion	0.050%	0.002%	0.010%	0.020%	0.003%	0.020%	0.020%	0.018%	0.020%	0.010%	
2/3" F.O.V(mm) DXHXV	D	18.33	11	7.33	5.5	4.4	3.67	3.14	2.75	2.44	2.2
	H	14.67	8.8	5.87	4.4	3.52	2.93	2.51	2.2	1.96	1.76
	V	11	6.6	4.4	3.3	2.64	2.2	1.89	1.65	1.47	1.32
Max.Sensor Size	2/3"										
Mount	C-Mount										

C.8.0X Zoom Lens Dimension.(Motorized Type)

PMS-Z80M



D.8.0X Zoom Lens Dimension.(Detented Type)



8.0x Zoom Lens Field Of View Table

Lens Attachment		0.5X Adapter Tube (PMS-AT0.5)						1.0X Adapter Tube (PMS-AT1.0)						2.0X Adapter Tube (PMS-AT2.0)					
		Low Magnification			High Magnification			Low Magnification			High Magnification			Low Magnification			High Magnification		
		Length mm	Width mm	Diagonal mm	Length mm	Width mm	Diagonal mm	Length mm	Width mm	Diagonal mm	Length mm	Width mm	Diagonal mm	Length mm	Width mm	Diagonal mm	Length mm	Width mm	Diagonal mm
0.25X PMS-LA0.25 WD:325mm	Magnification	0.078X – 0.625X						0.156X – 1.25X						0.30X – 3.75X					
	1/3"Camera FOV	61.44	46.08	76.80	7.68	5.76	9.60	30.72	23.04	38.40	3.84	2.88	4.80	15.36	11.52	19.20	1.92	1.44	2.40
	1/2"Camera FOV	81.92	61.44	102.40	10.24	7.68	12.80	40.96	30.72	51.20	5.12	3.84	6.40	20.48	15.36	25.60	2.56	1.92	3.20
	2/3"Camera FOV	112.64	84.48	140.80	14.08	10.56	17.60	56.32	42.24	70.40	7.04	5.28	8.80	28.16	21.12	35.20	3.52	2.64	4.40
0.3X PMS-LA0.3 WD:116.5mm	Magnification	0.094X – 0.75X						0.188X – 1.5X						0.375X – 3.0X					
	1/3"Camera FOV	51.20	38.40	64.00	6.40	4.80	8.00	25.60	19.20	32.00	3.20	2.40	4.00	12.80	9.60	16.00	1.60	1.20	2.00
	1/2"Camera FOV	68.27	51.20	85.33	8.53	6.40	10.67	34.13	25.60	42.67	4.27	3.20	5.33	17.07	12.80	21.33	2.13	1.60	2.67
	2/3"Camera FOV	93.87	70.40	117.33	11.73	8.80	14.67	46.93	35.20	58.67	5.87	4.40	7.33	23.47	17.60	29.33	2.93	2.20	3.67
0.5X PMS-LA0.5 WD:156mm	Magnification	0.156X – 1.25X						0.323X – 2.5X						0.625X – 5X					
	1/3"Camera FOV	30.72	23.04	38.40	3.84	2.88	4.80	10.24	7.68	12.80	1.28	0.96	1.60	7.68	5.76	9.60	0.96	0.72	1.20
	1/2"Camera FOV	40.96	30.72	51.20	5.12	3.84	6.40	13.65	10.24	17.07	1.71	1.28	2.13	10.24	7.68	12.80	1.28	0.96	1.60
	2/3"Camera FOV	56.32	42.24	70.40	7.04	5.28	8.80	18.77	14.08	23.47	2.35	1.76	2.93	14.08	10.56	17.60	1.76	1.32	2.20
0.75X PMS-LA0.75 WD:108mm	Magnification	0.234X – 1.875X						0.469X – 3.75X						0.938X – 7.5X					
	1/3"Camera FOV	20.48	15.36	25.60	2.56	1.92	3.20	7.68	5.76	9.60	0.96	0.72	1.20	5.12	3.84	6.40	0.64	0.48	0.80
	1/2"Camera FOV	27.31	20.48	34.13	3.41	2.56	4.27	10.24	7.08	12.80	1.28	0.96	1.60	6.83	5.12	8.53	0.85	0.64	1.07
	2/3"Camera FOV	37.55	28.16	46.93	4.69	3.52	5.87	14.08	10.56	17.60	1.76	1.32	2.20	9.39	7.04	11.73	1.17	0.88	1.47
1.0X PMS-LA1.0 WD:91mm	Magnification	0.315X – 2.5X						0.625X – 5X						1.25X – 10.0X					
	1/3"Camera FOV	15.36	11.52	19.20	1.92	1.44	2.40	5.12	3.84	6.40	0.64	0.48	0.80	3.84	2.88	4.80	0.48	0.36	0.60
	1/2"Camera FOV	20.48	15.36	25.60	2.56	1.92	3.20	6.83	5.12	8.53	0.85	0.64	1.07	5.12	3.84	6.40	0.64	0.48	0.80
	2/3"Camera FOV	28.16	21.12	35.20	3.52	2.64	4.40	9.39	7.04	11.73	1.17	0.88	1.47	7.04	5.28	8.80	0.88	0.66	1.10
1.5X PMS-LA1.5 WD:35.3mm	Magnification	0.469X – 3.75X						0.937X – 7.8X						1.875X – 15X					
	1/3"Camera FOV	10.24	7.68	12.80	1.28	0.96	1.60	5.12	3.84	6.40	0.64	0.48	0.80	2.56	1.92	3.20	0.32	0.24	0.40
	1/2"Camera FOV	13.65	10.24	17.03	1.71	1.28	2.13	6.83	5.12	8.53	0.85	0.64	1.07	3.41	2.56	4.27	0.43	0.32	0.53
	2/3"Camera FOV	18.77	14.08	23.47	2.35	1.76	2.93	9.39	7.04	11.73	1.17	0.88	1.47	4.69	3.52	5.87	0.59	0.44	0.73
2.0X PMS-LA2.0 WD:50mm	Magnification	0.625X – 5.0X						1.25X – 10X						2.40X – 30.0X					
	1/3"Camera FOV	7.68	5.76	9.60	0.96	0.72	1.20	3.84	2.88	4.80	0.48	0.36	0.60	1.92	1.44	2.40	0.24	0.18	0.30
	1/2"Camera FOV	10.24	7.68	12.80	1.28	0.96	1.60	5.12	3.84	6.40	0.64	0.48	0.80	2.56	1.92	3.20	0.32	0.24	0.40
	2/3"Camera FOV	14.08	10.56	17.60	1.76	1.32	2.20	7.04	5.28	8.80	0.88	0.66	1.10	3.52	2.64	4.40	0.44	0.33	0.55

15. Pomeas 12.5X Zoom Lens Series.

A 12.5X Zoom Lens 주문표

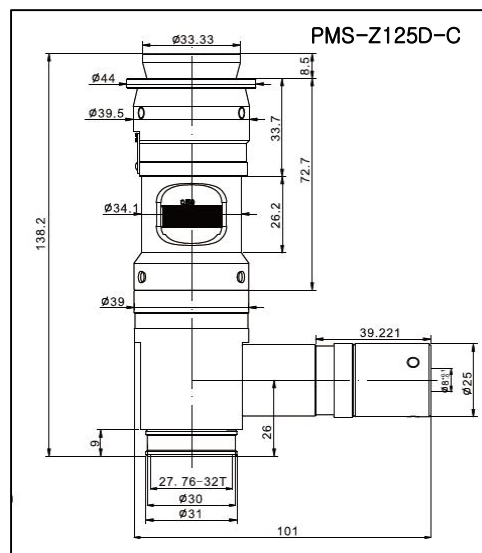
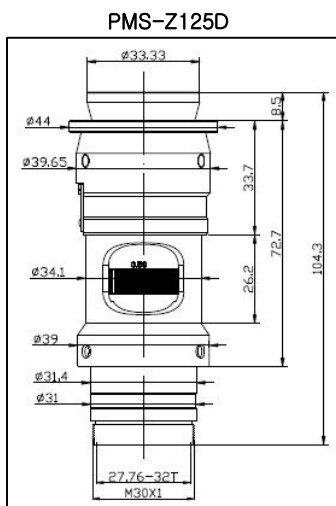
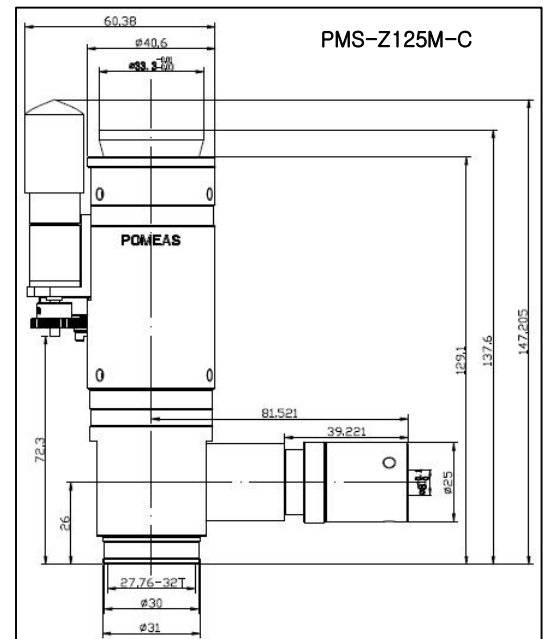
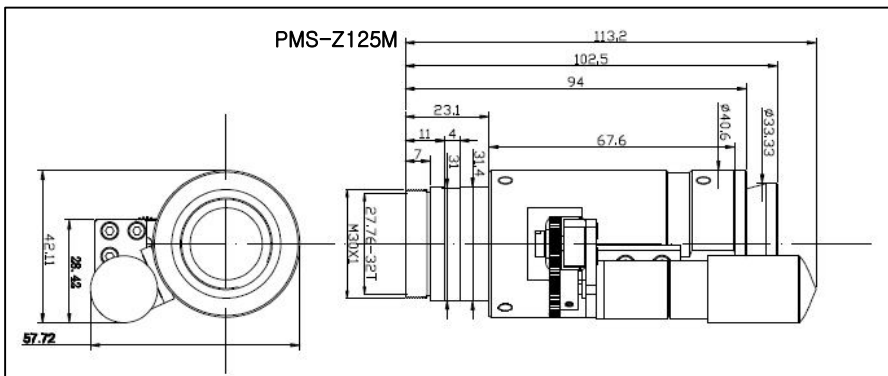
Model	Type	동축	Fine focus	Mount
PMS-Z125C	Manual			C
PMS-Z125C-H3	Manual		3mm	C
PMS-Z125C-H12	Manual		12mm	C
PMS-Z125C-C	Manual	Coaxial		C
PMS-Z125D	Detented			C

PMS-Z125D-CH3	Detended	Coaxial	3mm	C
PMS-Z125D-CH12	Detended	Coaxial	12mm	C
PMS-Z125D-C	Detended	Coaxial		C
PMS-Z125M	Motorized			C
PMS-Z125M-C	Motorized	Coaxial		C
PMS-Z125M-CH3	Motorized	Coaxial	3mm	C

B. 12.5X Zoom Lens Data.

Commodity		12.5x Zoom Lens															
Optical Magnification Range		0.58x – 7.5x															
Working Distance		84±2mm															
Optical Magnification		0.58x	0.6x	1.0x	1.5x	2.0x	2.5x	3.0x	3.5x	4.0x	4.5x	5.0x	5.5x	6.0x	6.5x	7.0x	7.5x
Depth of Field(mm)		2.75	2.67	0.95	0.43	0.27	0.2	0.15	0.12	0.1	0.081	0.073	0.066	0.061	0.056	0.052	0.05
N.A		0.025	0.025	0.043	0.063	0.074	0.082	0.09	0.097	0.1	0.11	0.11	0.11	0.11	0.11	0.11	0.11
F.No.		12.5	12.5	11.85	11.95	13.65	15.3	16.5	18.4	19.9	20.4	22.45	22.7	26.8	29.4	31.7	33.9
Resolution(μm)		13	13	7.8	5.3	4.53	4.09	3.73	3.46	3.36	3.05	3.05	3.05	3.05	3.05	3.05	3.05
TV Distortion		0.05%	0.05%	0.002%	0.01%	0.02%	0.003%	0.02%	0.02%	0.018%	0.02%	0.01%	0.01%	0.001%	0.01%	0.005%	0.005%
2/3" F.O.V (mm)	D	18.97	18.33	11	7.33	5.5	4.4	3.67	3.14	2.75	2.44	2.2	2	1.83	1.69	1.57	1.47
	H	15.17	14.67	8.8	5.87	4.4	3.52	2.93	2.51	2.2	1.96	1.76	1.6	1.47	1.35	1.26	1.17
	V	11.38	11	6.6	4.4	3.3	2.64	2.2	1.89	1.65	1.47	1.32	1.2	1.1	1.02	0.94	0.88
Max.Sensor Size		2/3"															
Mount		C-Mount															

C. 12.5X Zoom Lens Dimension.(Motorized & Manual Type)

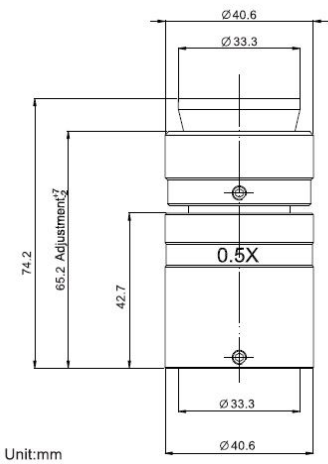


12.5x Zoom Lens Field Of View Table

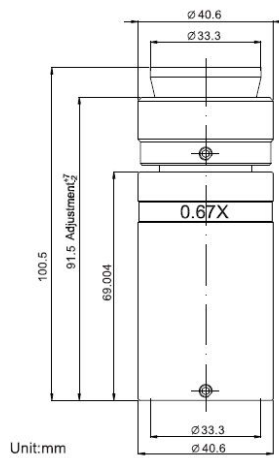
Lens Attachment		0.5X Adapter Tube (PMS-AT0.5)						1.0X Adapter Tube (PMS-AT1.0)						2.0X Adapter Tube (PMS-AT2.0)					
		Low Magnification			High Magnification			Low Magnification			High Magnification			Low Magnification			High Magnification		
		Length mm	Width mm	Diagonal mm	Length mm	Width mm	Diagonal mm	Length mm	Width mm	Diagonal mm	Length mm	Width mm	Diagonal mm	Length mm	Width mm	Diagonal mm	Length mm	Width mm	Diagonal mm
0.25X PMS-LA0.25 WD:325mm	Magnification	0.075X – 0.94X						0.15X – 1.875X						0.30X – 3.75X					
	1/3" Camera FOV	64.00	48.00	80.00	5.12	3.84	6.40	32.00	24.00	40.00	2.56	1.92	3.20	16.00	12.00	20.00	1.28	0.96	1.60
	1/2" Camera FOV	85.40	64.00	106.6	6.82	5.12	8.54	42.67	32.00	53.33	3.41	2.56	4.27	21.33	16.00	26.67	1.70	1.28	2.14
	2/3" Camera FOV	117.33	88.00	146.6	9.38	7.04	11.74	58.67	44.00	73.33	4.69	3.52	5.87	29.35	22.00	36.67	2.35	1.76	2.94
0.5X PMS-LA0.5 WD:156mm	Magnification	0.15X – 1.875X						0.3X – 3.75X						0.6X – 7.5X					
	1/3" Camera FOV	32.00	24.00	40.00	2.56	1.92	3.20	16.00	12.00	20.00	1.28	0.96	1.60	8.00	6.00	10.00	0.64	0.48	0.80
	1/2" Camera FOV	42.66	32.00	53.33	3.40	2.56	4.26	21.33	16.00	26.67	1.70	1.28	2.13	10.65	8.00	13.35	0.85	0.64	1.07
	2/3" Camera FOV	58.66	44.00	73.33	4.68	3.52	5.86	29.33	22.00	36.67	2.34	1.76	2.93	14.65	11.00	18.35	1.17	0.88	1.47
0.75X PMS-LA0.75 WD:108mm	Magnification	0.225X – 2.82X						0.45X – 5.63X						0.9X – 11.25X					
	1/3" Camera FOV	21.34	16.00	26.66	1.75	1.26	2.14	10.67	8.00	13.33	0.85	0.63	1.07	5.38	4.00	6.67	0.43	0.32	0.53
	1/2" Camera FOV	28.44	21.34	35.56	2.26	1.70	2.82	14.22	10.67	17.78	1.13	0.85	1.42	7.11	5.38	8.89	0.56	0.43	0.71
	2/3" Camera FOV	39.12	29.34	48.88	3.12	2.34	3.90	19.56	14.67	24.44	1.56	1.17	1.95	9.78	7.38	12.22	0.78	0.58	0.98
1.0X PMS-LA1.0 WD:84mm	Magnification	0.3X – 5.63X						0.6X – 7.5X						1.2X – 15.0X					
	1/3" Camera FOV	16.00	12.00	20.00	1.28	0.96	1.60	8.00	6.00	10.00	0.64	0.48	0.80	4.00	3.00	5.00	0.32	0.24	0.40
	1/2" Camera FOV	21.34	16.00	26.66	1.70	1.28	2.14	10.67	8.00	13.33	0.85	0.64	1.07	5.33	4.00	6.67	0.42	0.32	0.53
	2/3" Camera FOV	29.34	22.00	36.66	2.34	1.96	2.94	14.67	11.00	18.33	1.17	0.88	1.47	7.33	5.50	9.16	0.58	0.44	0.74
1.5X PMS-LA1.5 WD:50mm	Magnification	0.45X – 5.675X						0.9X – 11.25X						1.80X – 22.5X					
	1/3" Camera FOV	6.76	9.01	11.43	1.07	1.42	1.78	5.33	4	6.67	0.43	0.32	0.53	2.67	2.00	3.34	0.22	0.16	0.27
	1/2" Camera FOV	9.01	12.02	15.23	1.42	1.90	2.37	7.11	5.33	8.89	0.56	0.42	0.71	3.55	2.67	4.45	0.28	0.21	0.36
	2/3" Camera FOV	9.78	13.04	15.00	1.96	2.61	3.26	9.78	7.33	12.22	0.78	0.58	0.98	4.89	3.67	6.11	0.39	0.29	0.49
2.0X PMS-LA2.0 WD:35.3mm	Magnification	0.60X – 7.50X						1.20X – 15.0X						2.40X – 30.0X					
	1/3" Camera FOV	8.00	6.00	10.00	0.64	0.48	0.80	4.00	3.00	5.00	0.32	0.24	0.40	2.00	1.50	2.50	0.16	0.22	0.2
	1/2" Camera FOV	10.67	8.00	13.33	0.85	0.64	1.07	5.33	4.00	6.67	0.43	0.32	0.53	2.67	2.00	3.34	0.21	0.16	0.26
	2/3" Camera FOV	14.67	11.00	18.33	1.17	0.88	1.47	7.33	5.50	9.17	0.59	0.44	0.73	3.67	2.75	4.85	0.29	0.22	0.36

D. TV Adapter Dimension

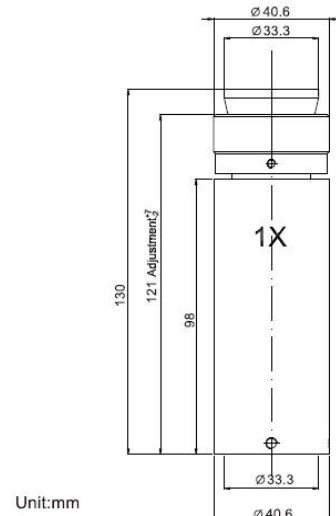
PMS-AT0.5



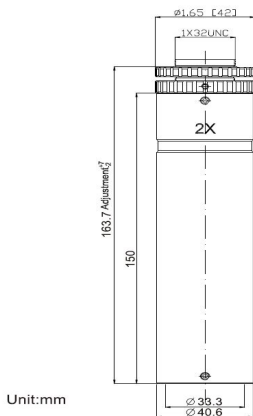
PMS-AT0.67



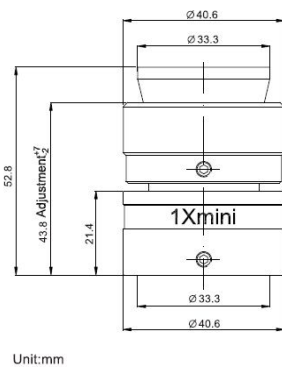
PMS-AT1.0



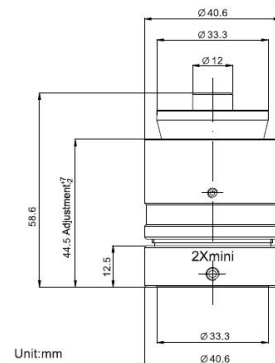
PMS-AT2.0



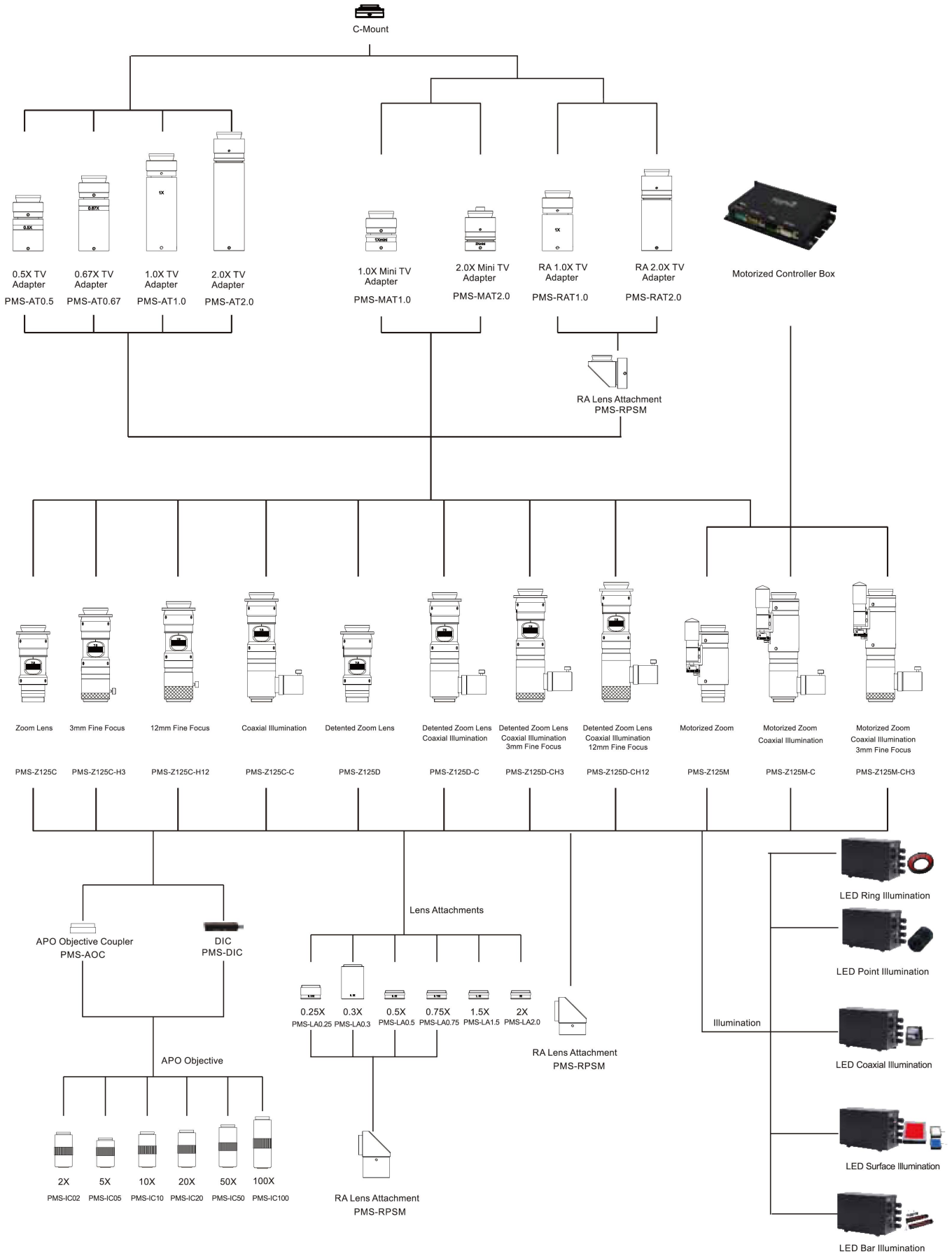
PMS-MAT1.0



PMS-MAT2.0



12.5x Zoom Lens Series



Zoom Telecentric Lens Series

PMS-ZT0220-A

PMS-ZT0212-A

PMS-ZT0315-A

new

Feature :

1. Object side telecentric design, no distortion within the DOF;
2. Support 1" big size sensor camera, ensure the objective side resolution with bigger FOV;
3. The conjugate distance and working distance remain the same when the magnification change;
4. Continuous telecentric zoom, any magnification between max magnification and minimum magnification is valid.

Code	PMS-ZT0220-A										
Magnification		0.21X	0.4X	0.6X	0.8X	1.0X	1.2X	1.4X	1.6X	1.8X	1.97X
Object Dimension (mm)	1/3"	22.7×17.0	12.0×9.0	8.0×6.0	6.0×4.5	4.8×3.6	4.0×3.0	3.4×2.6	3.0×2.3	2.7×2.0	2.4×1.8
	1/2"	30.3×22.7	16.0×12.0	10.7×8.0	8.0×6.0	6.4×4.8	5.3×4.0	4.6×3.4	4.0×3.0	3.6×2.7	3.3×2.4
	1/1.8"	33.8×25.4	17.9×13.4	11.9×8.9	8.9×6.7	7.1×5.4	6.0×4.5	5.1×3.8	4.5×3.4	4.0×3.0	3.6×2.7
	2/3"	41.7×31.3	22.0×16.5	14.7×11.0	11.0×8.3	8.8×6.6	7.3×5.5	6.3×4.7	5.5×4.1	4.9×3.7	4.5×3.4
	1"	60.6×45.5	32.0×24.0	21.3×16.0	16.0×12.0	12.8×9.6	10.7×8.0	9.1×6.9	8.0×6.0	7.1×5.3	6.5×4.9
Resolution (μm)		26.91	12.89	8.86	6.25	5.21	4.85	4.64	4.53	4.41	4.30
F.No.		7.81	7.35	7.64	8.35	9.34	10.42	11.33	12.23	13.06	13.69
TV Distortion		-0.04%	0.07%	0.05%	0.02%	0.00%	-0.01%	-0.03%	-0.03%	-0.04%	-0.05%
Object Size Telecentricity(°)		0.02	0.01	0.01	0.02	0.12	0.23	0.31	0.36	0.41	0.44
DOF(mm)		6.99	1.84	0.85	0.52	0.37	0.29	0.23	0.19	0.16	0.14
N.A.		0.014	0.027	0.039	0.048	0.054	0.058	0.062	0.065	0.069	0.072
Working Distance(mm)		86±2mm									
Max. Sensor Size		1"									
Mount		C-mount									
Illumination		---									
Working Temperature		-10℃ ~ +50℃									

Code	PMS-ZT0212-A						
Magnification		0.21X	0.4X	0.6X	0.8X	1.0X	1.2X
Object Dimension (mm)	1/3"	22.7×17.0	12.0×9.0	8.0×6.0	6.0×4.5	4.8×3.6	4.0×3.0
	1/2"	30.3×22.7	16.0×12.0	10.7×8.0	8.0×6.0	6.4×4.8	5.3×4.0
	1/1.8"	33.8×25.4	17.9×13.4	11.9×8.9	8.9×6.7	7.1×5.4	6.0×4.5
	2/3"	41.7×31.3	22.0×16.5	14.7×11.0	11.0×8.3	8.8×6.6	7.3×5.5
	1"	60.6×45.5	32.0×24.0	21.3×16.0	16.0×12.0	12.8×9.6	10.7×8.0
Resolution (μm)		26.91	12.89	8.86	6.25	5.21	4.85
F.No.		7.81	7.35	7.64	8.35	9.34	10.42
TV Distortion		-0.04%	0.07%	0.05%	0.02%	0.00%	-0.01%
Object Size Telecentricity(°)		0.02	0.01	0.01	0.02	0.12	0.23
DOF(mm)		6.99	1.84	0.85	0.52	0.37	0.29
N.A.		0.014	0.027	0.039	0.048	0.054	0.058
Working Distance(mm)		86±2mm					
Max. Sensor Size		1"					
Mount		C-mount					
Illumination		---					
Working Temperature		-10℃ ~ +50℃					

Code	PMS-ZT0315-A						
Magnification		0.3X	0.5X	0.8X	1.0X	1.3X	1.5X
Object Dimension (mm)	1/3"	16.0×12.0	9.6×7.2	6.0×4.5	4.8×3.6	3.7×2.8	3.2×2.4
	1/2"	21.4×16.0	12.8×9.6	8.0×6.0	6.4×4.8	4.9×3.7	4.3×3.2
	1/1.8"	23.9×17.9	14.3×10.7	8.9×6.7	7.1×5.4	5.5×4.1	4.8×3.6
	2/3"	29.4×22.0	17.6×13.2	11.0×8.3	8.8×6.6	6.8×5.1	5.9×4.4
	1"	42.7×32.1	25.6×19.2	16.0×12.0	12.8×9.6	9.8×7.4	8.5×6.4
Resolution (μm)		18.35	10.64	6.25	5.21	4.63	4.57
F.No.		7.71	7.40	8.35	9.34	10.86	11.83
TV Distortion		0.05%	0.06%	0.02%	0.00%	-0.02%	-0.03%
Object Size Telecentricity(°)		0.02	0.01	0.02	0.12	0.27	0.34
DOF(mm)		3.43	1.18	0.52	0.37	0.26	0.21
N.A.		0.019	0.034	0.048	0.054	0.060	0.064
Working Distance(mm)		86±2mm					
Max. Sensor Size		1"					
Mount		C-mount					
Illumination		---					
Working Temperature		-10℃ ~ +50℃					

Zoom Lens

A typical zoom lens system consist of **C-mount ①**, **TV adapter ②** and **zoom lens③**.

APO or Lens attachment ⑤, **Coaxial illumination or Ring illumination ④** are optional, in order to meet your special requirement.

Stand ⑥ and **Camera ⑦** will be offered to perfectly match Pomeas Zoom Lens system.

■ APO Lens

Code	Magnification	N.A.	W.D.	Focal Length	DOF	Resolution	Field Of View	
							Eye Lens	1/2"CCD
PMS-IC02	2x	0.055	34.6mm	100 mm	91μm	5μm	Ø12	2.4× 3.2
PMS-IC05	5x	0.14	45mm	40 mm	14μm	2μm	Ø4.8	0.96×1.28
PMS-IC10	10x	0.28	34mm	20mm	3.5μm	1μm	Ø2.4	0.48×0.64
PMS-IC20	20x	0.29	30.8mm	10mm	3.5μm	1μm	Ø1.2	0.24×0.32
PMS-IC50	50x	0.42	20.5mm	4 mm	1.6μm	0.7μm	Ø0.48	0.10×0.13

■ Related Accessories

Code	Type
TV Adapter	0.5X Adapter 0.67X Adapter 1.0X Adapter 2.0X Adapter 1.0X Mini Adapter 2.0X Mini Adapter
Camera	VAG HDMI
Lens Attachments	0.25X Lens Attachments 0.3X Lens Attachments 0.5X Lens Attachments 0.75X Lens Attachments 1.5X Lens Attachments 2.0X Lens Attachments
Mount	C-Mount
APO Lens Coupler	Infinity Corrected Objectives Coupler

For more Zoom lens model selection, please refer to **Page 10** for **6.5X** zoom lens, **Page 12** for **8.0X** zoom lens and **Page 15** for **12.5X** zoom lens



VIDEO MICROSCOPE UNIT

Feature:

1. Working together with APO lens
2. Inner illumination
3. C-Mount, support 2/3" camera
4. Magnification :1X

Code	Description
PMS-VM-780	Video Microscope,Wave length 532-780nm,C-mount
PMS-VM-1064	Video Microscope,Wave length 532-780nm,C-mount

Motorized Zoom And Controller

Motorized zoom and controller

Based on years of experiences in optical design and auto-control technology, POMEAS optical zoom lens auto-control system is developed to meet the requirements of quick accurate inspection.

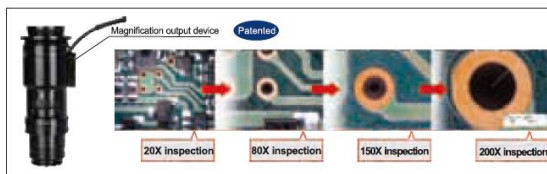
- High-speed in zoom and high precision in repeating positioning
- Adopt imported servo DC motor, close-loop control
- Support Win XP/Win 7 system
- Motorized zoom and focusing
- Keep stability even in the harsh vibrating environment



Motorized Controller

The integrated motorized control systems are suitable for all the POMEAS zoom lenses. Motorized controlling system can control single or dual channels via RS232 or USB. SDK software will be provided.

The advantage of zoom lens



■ Electronic magnifications

POMEAS fully integrates years' experience in sensor technology and the optical technology of microscope-system, to develop a new product which can real-time identify lens' magnification. No need to calibrate every time when the magnification is changed. Avoid the magnification selection mistake, you can gain a more fluency observation than ever before.



■ Detented Zoom Lens

- High accuracy in zoom and repetitive positioning
- 6 divided points or 9 divided points for mechanical positioning
- High hardness alloy material, for a long lifespan; Precision mechanical structure



■ Coaxial Illumination

- Infinity parallel incident light, with shadow-free and uniform illumination
- High contrast and vivid color image, for better image quality
- Applied for reflective surface observation: wafers, polishing samples, deep holes, etc



■ Motorized Zoom

- High speed in zoom and focus and high accuracy in repetitive positioning
- Imported DC servo motor, closed-loop control
- Stable quality performance even in the strong vibration environment



■ Fine-focus Device

- Seamless combination, for large range internal focusing: 3-12mm
- Precision mechanical structure Move smoothly
- Excellent sharp image



■ Differential Interference Contrast

DIC can offer a image like relief, the raised and a lowered areas can be observed clearly

